



**MANITAL**<sup>®</sup>  
*maniglie italiane*



**OTTO | FLAT**



red dot design award  
honourable mention 2013

FLAT®

Design Mario Mazzer



reddot design award  
honourable mention 2013



MANITAL®

HBB



CRO



CSA



NIS



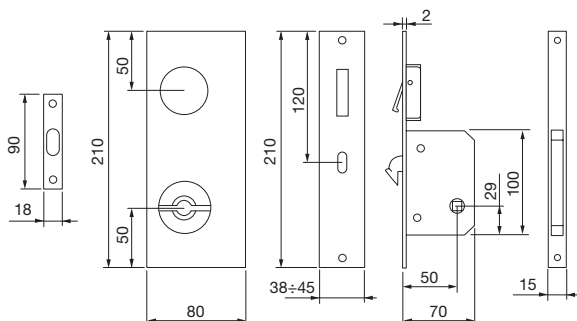
**Finitura**

- HBB = OTTONE LUCIDO PVD
- CRO = CROMATO
- CSA = CROMATO SATINATO
- NIS = NIKEL SATINATO
- BIA = BIANCO
- NER = NERO

**Finish**

- HBB = POLISHED BRASS PVD
- CRO = CHROME PLATED
- CSA = SATIN CHROME
- NIS = SATIN NICKEL
- BIA = WHITE
- NER = BLACK

**Material:** Zinc alloy



**FT**

Set serratura placca incasso con nottolino e trascinato  
Set of sliding door rose with wc turn, complete of flush pull and lock

FLAT S®

Design Mario Mazzer



reddot design award  
honourable mention 2013



HBB



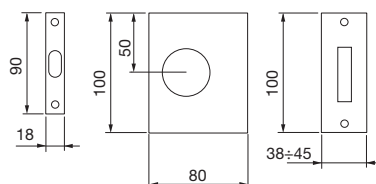
CRO



CSA



NIS



**FT S**

Coppia placche incasso cieche con trascinatore  
Sliding door rose, blind with flush pull

**Finitura**

- HBB = OTTONE LUCIDO PVD
- CRO = CROMATO
- CSA = CROMATO SATINATO
- NIS = NIKEL SATINATO
- BIA = BIANCO
- NER = NERO

**Finish**

- HBB = POLISHED BRASS PVD
- CRO = CHROME PLATED
- CSA = SATIN CHROME
- NIS = SATIN NICKEL
- BIA = WHITE
- NER = BLACK

**Material:** Zinc alloy

OTTO®

Design Mario Mazzer



reddot design award  
honourable mention 2013



OTL



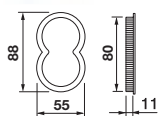
CRO



CSA

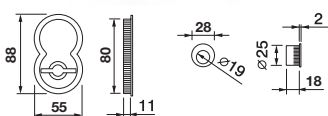


NIS



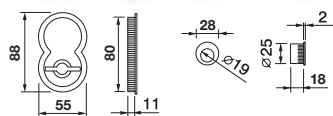
**Art. 84**

Coppia placche incasso cieche  
Sliding door rose, blind



**Art. 85/A**

Coppia placche incasso con nottolino  
e trascinatore  
Sliding door rose with wc turn and flush pull



**Art. 85/B**

Coppia placca incasso con nottolino  
trascinatore e serratura  
Sliding door rose with wc turn,  
flush pull and lock

**Finitura**

- OTL = OTTONE LUCIDO
- OSA = OTTONE SATINATO
- CRO = CROMATO
- CSA = CROMATO SATINATO
- NIS = NIKEL SATINATO

**Finish**

- OTL = POLISHED BRASS
- OSA = SATIN BRASS
- CRO = CHROME PLATED
- CSA = SATIN CHROME
- NIS = SATIN NICKEL

**Material:** Brass

